

Presented by

# FATIMA

## DOORS



# INDUSTRY

---

[www.fatimadoorsindustry.com](http://www.fatimadoorsindustry.com)



Fatima  
Doors  
Industry

# WPC SKIN DOOR SERIES

Materials pressed into a smooth, textured surface that pristinely finished look with a glossy protective layer, not only enhancing the door's elegance but also adding another level of strength.

Contact Us

**+971 56 428 3342**

**[www.fatimadoorsindustry.com](http://www.fatimadoorsindustry.com)**





**FDI - 9206**

# WPC SKIN DOOR SERIES

---



**FDI-9206**



**FDI-9201**



**FDI-9205**



**FDI-9202**



**FDI-9208**



**FDI-9305**

# WPC SKIN DOOR SERIES

---



**FDI-9203**



**FDI-9207**



**FDI-9303**



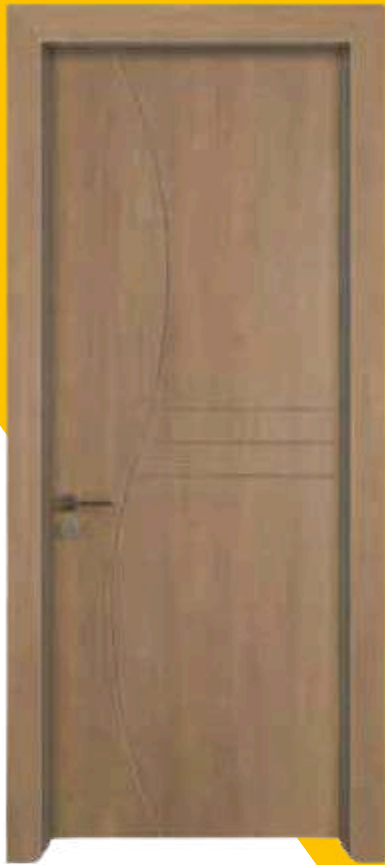
**FDI-9205**

FDI-9202

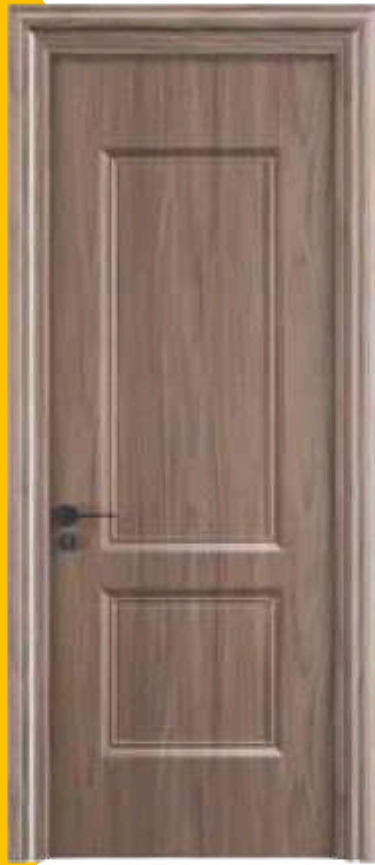


# WPC SKIN DOOR SERIES

# WPC SKIN DOOR SERIES



**FDI-9302**



**FDI-9212**



**FDI-9215**



**FDI-9308**

# WPC SKIN DOOR SERIES



**FDI-9209**



**FDI-9201**

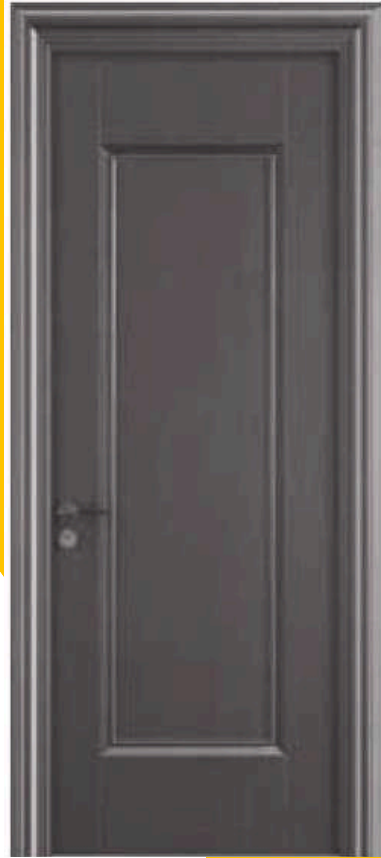


**FDI-9309**

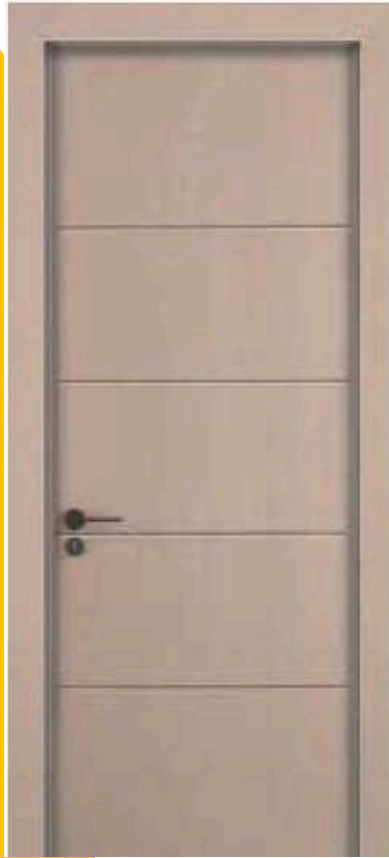


**QDMG-9306**

# WPC SKIN DOOR SERIES



**FDI-9211**



**FDI-9038**



**FDI-9213**



# ENGRAVED DOOR SERIES

featuring engraved designs further beautify your spaces. Industrial-grade carving on the surface assures both the strength and the beauty of a door.

→ 13

→ 13 A



→ 14

→ 14 A



# WPC ENGRAVED DOOR SERIES



**FDI-9203**



**FDI-9215**



**FDI-9303**



**FDI-9205**

# WPC ENGRAVED DOOR SERIES



**FDI-9303**

# WPC ENGRAVED DOOR SERIES



**FDI-9203**



**FDI-9215**



**FDI-9303**

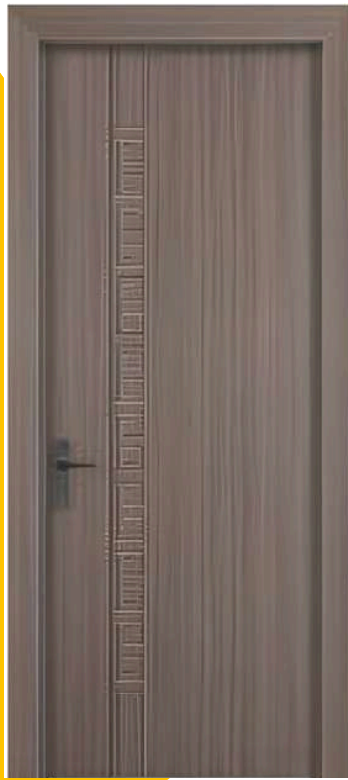
**FDI-9205**



# WPC ENGRAVED DOOR SERIES



**FDI-9203**



**FDI-9215**



**FDI-9303**



**FDI-9205**

# WPC ENGRAVED DOOR SERIES

---



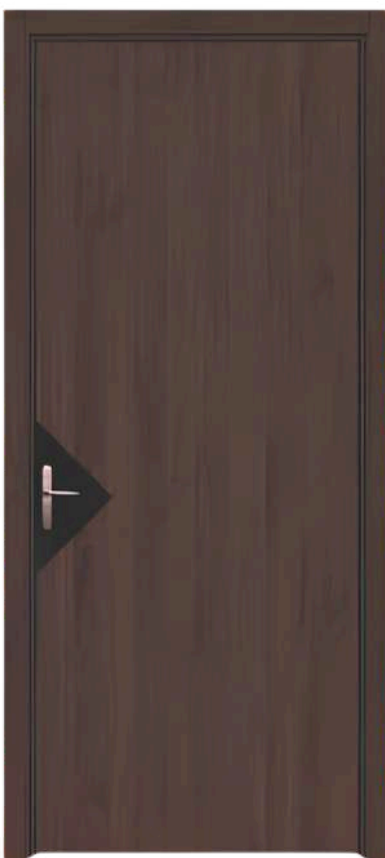
**FDI-9117**



**FDI-9122**



**FDI-9121**



**FDI-9120**



**FDI-9119**



**FDI-9118**

**FDI-M002**



# WPC ENGRAVED DOOR SERIES

---



**FDI-9115**



**FDI-9112**



**FDI-9111**



**FDI-9110**



**FDI-9109**



**FDI-9611**

**FDI-M003**



# WPC ENGRAVED DOOR SERIES



**FDI-9612**



**FDI-9613**



**FDI-9614**



**FDI-M008**

# WPC ENGRAVED DOOR SERIES



**FDI-9615**



**FDI-9616**



**FDI-M005**



**FDI-M009**



Fatima  
Doors  
Industry



# ASSEMBLY DOORS SERIES

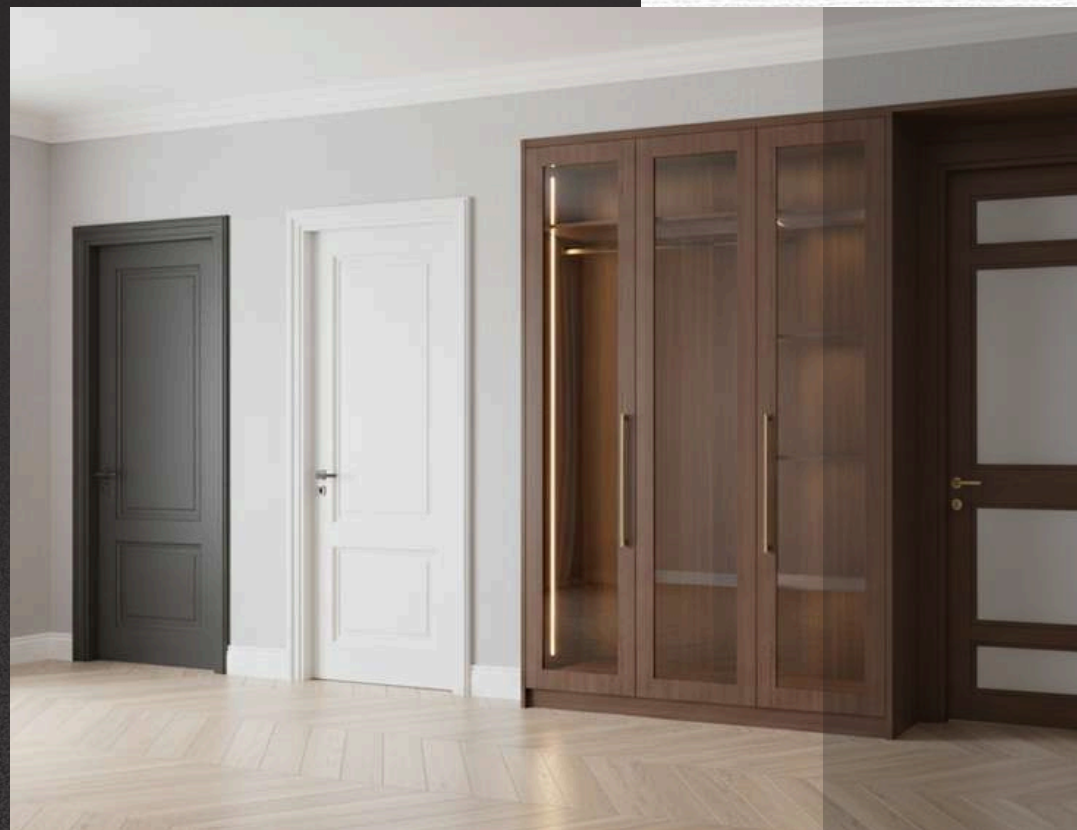
Made of multiple components, like panels, frames, and stiles, a finished door provides excellent load-bearing capacity and higher structural strength.



Contact Us

**+971 56 428 3342**

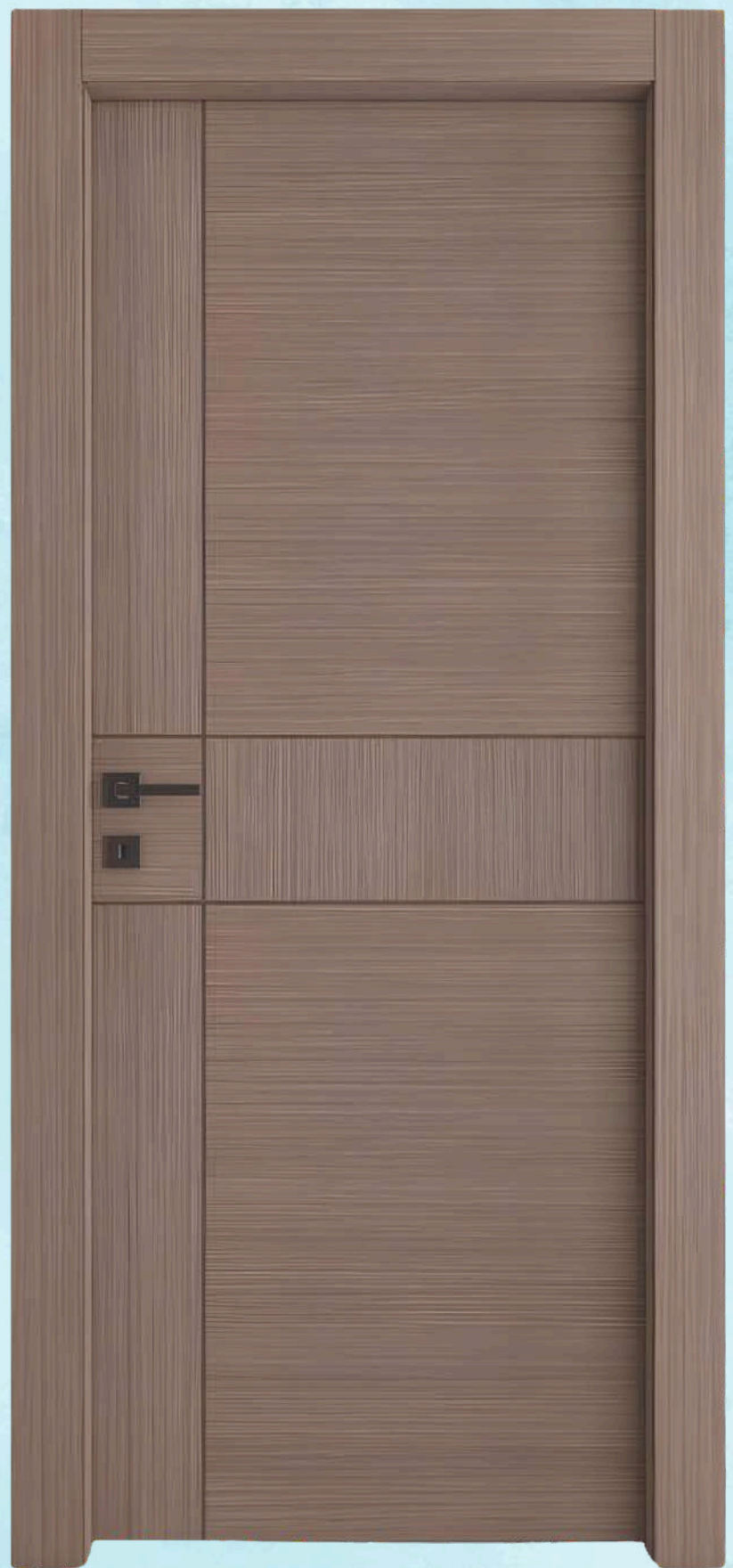
**[www.fatimadoorsindustry.com](http://www.fatimadoorsindustry.com)**



# WPC ASSEMBLY DOOR SERIES



**FDI-9692**



**FDI-9693**

# WPC ASSEMBLY DOOR SERIES

**Contrasting colors mix of strong and weak reflecting a neutral beauty no superfluous decoration, simple and pure, and whether it is a reasonable distribution of mirror cabinet, design of Multi-interlayer, or bar details embody are revealed to the relentless pursuit of life, and the sense of life.**



**FDI-9048**



**FDI-9701**

# WPC ASSEMBLY DOOR SERIES



**FDI-9015**



**FDI-9691**



**FDI-9060**



**FDI-9123**

# PAINTED DOOR SERIES

*A Matte or glossy painted door can be customized in a variety of colors, which intensifies the feature of water-resistant properties*



The door and fan are integrated



Ultra high density substrate



film or paintin or paint The surface is covered with



The door is water proof, fire proof, sound proof and warm



The water molecules can't penetrate



Perfec combination of product and technology



# WPC PAINTED DOOR SERIES

---

Contrasting colors with a mix of strong and soft tones create a neutral beauty—simple, pure, and free from unnecessary decoration.

Whether it is the reasonable arrangement of the mirror cabinet, the design of multi-layer shelves, or the refined bar details, each element reflects an unwavering pursuit of quality and a deeper sense of living



**FDI-9505**



**FDI-9509**



**FDI-9506**



**FDI-9507**



**FDI-9508**

**FDI-9511**



# WPC PAINTED DOOR SERIES

---



**FDI-9510**



**FDI-9512**



**FDI-9501**

Contrasting colors mix of strong and weak reflecting a neutral beauty no superfluous dcoration,simple and pure,and whether it Is a reasolable distribution of mirror cablnet.design of Multi-interlayer,or bar details embody are revealed to the ralentless pursuit of life, and the sense of life.



**FDI-9502**



**FDI-9503**

# GLASS DOOR SERIES

Glass inserted in a rectangular, oval, or any customized shape of your choice.



# WPC GLASS DOOR SERIES



**FDI-9011**



**FDI-9019**



**FDI-9002**



**FDI-9020**

# WPC GLASS DOOR SERIES

---



**FDI-9046**



**FDI-9069**



**FDI-9075**



**FDI-9024**



**FDI-9027**

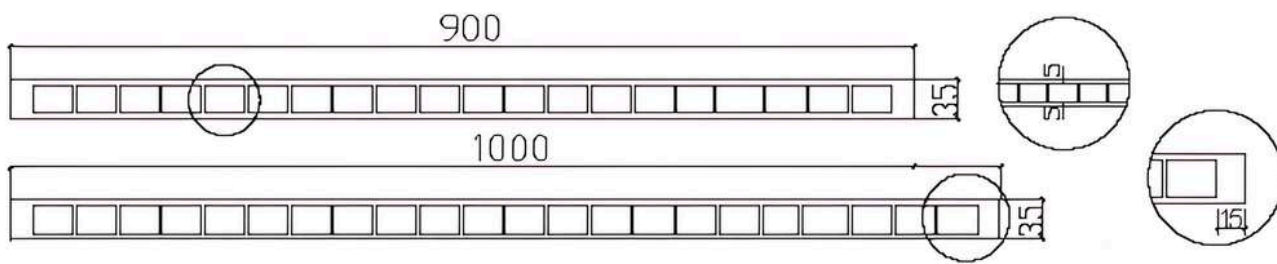


**FDI-9072**

# WPC DOOR SERIES

## EXTRUSION DOOR

### KM35-900/1000



**Door leaf**

**Thickness: 40mm**

**Width: 710-900mm**

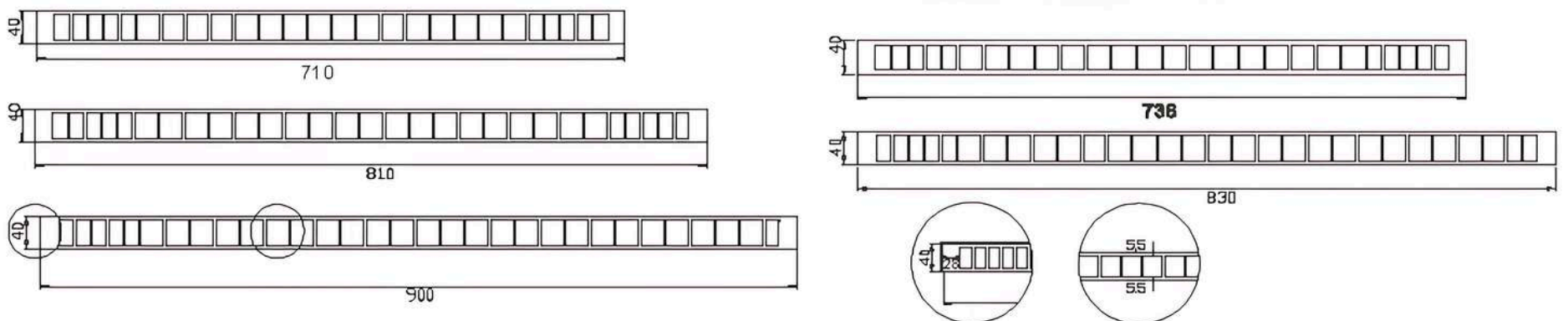
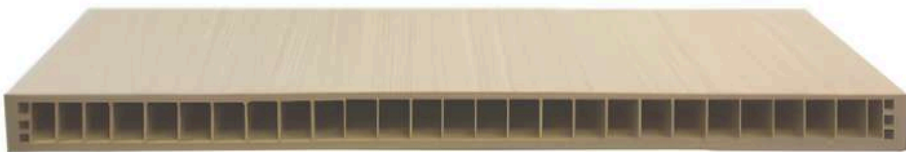
**Height: can be customized**

**Wall thickness 5.5mm**

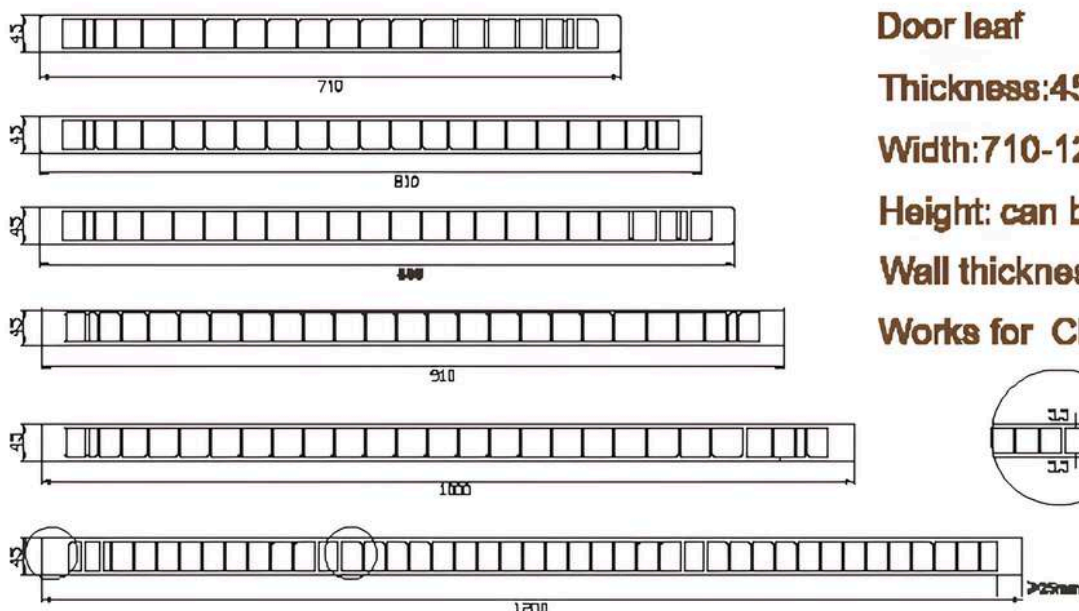
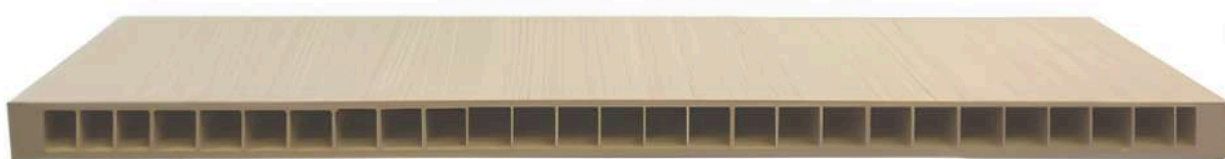
**Works for CNC design**



### KM40-700/736/810/830/900



### KM45-710/810/860/910/1000/1200



**Door leaf**

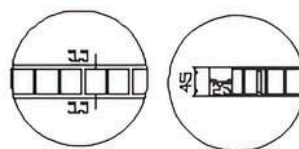
**Thickness: 45mm**

**Width: 710-1200mm**

**Height: can be customized**

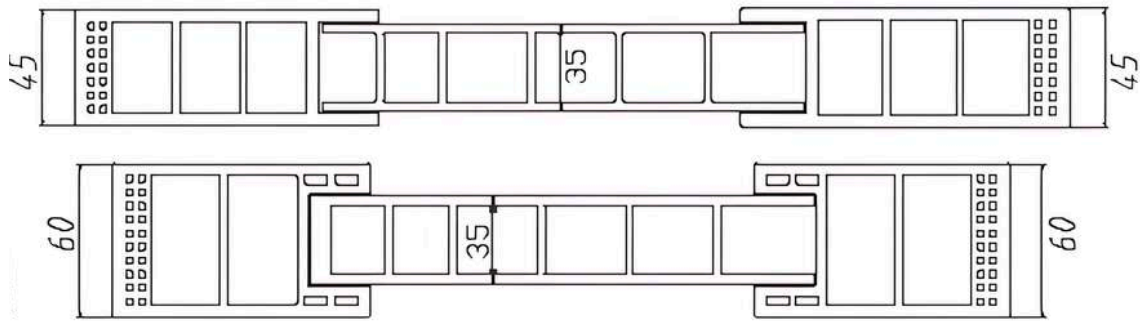
**Wall thickness: 5.5mm**

**Works for CNC design**

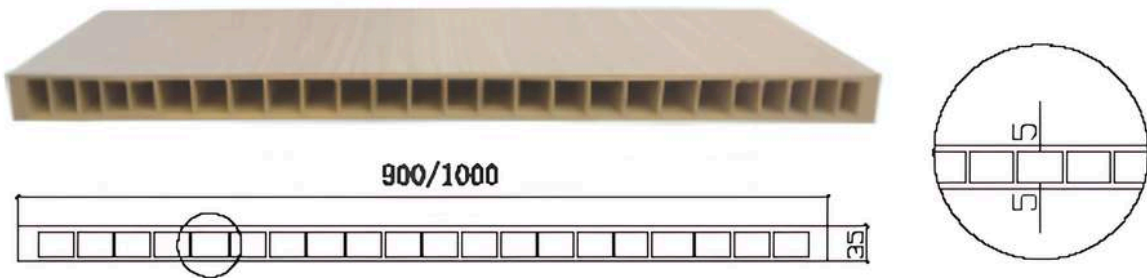


# WPC DOOR SERIES

## ASSEMBLE DOOR



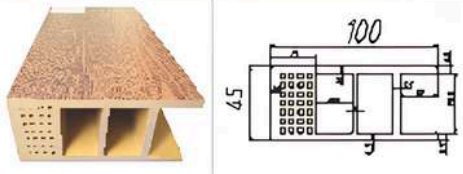
Width&Height can be customized



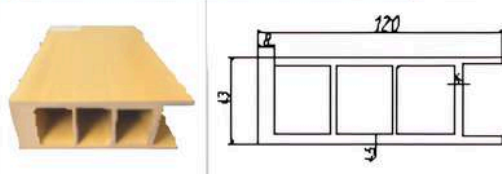
DOOR LEAF 35 mm



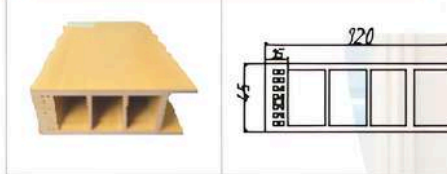
### KM100-45U



### KM120-43U



### KM120-45U



### KM100-60U

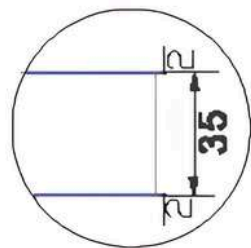
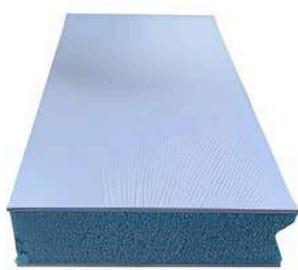


## SKIN DOOR

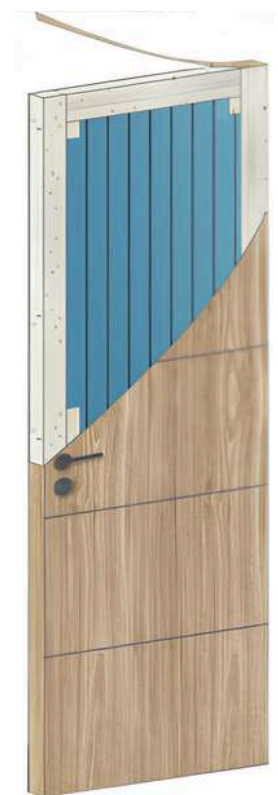
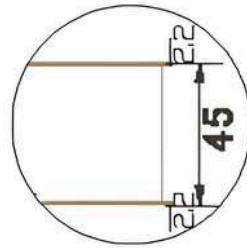
### PVC skin 2.2-4.0mm



### KM-35mm



### KM-45mm

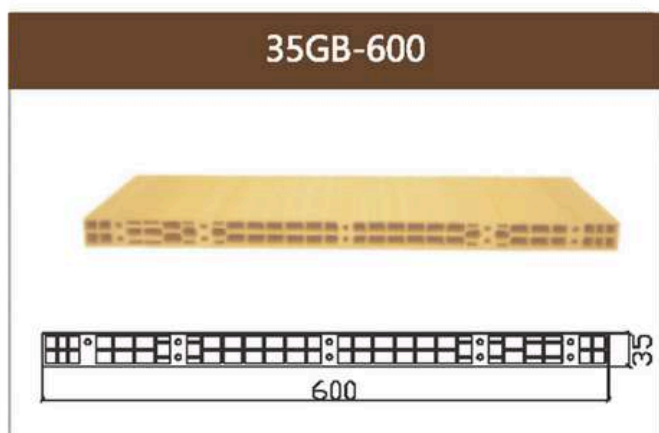
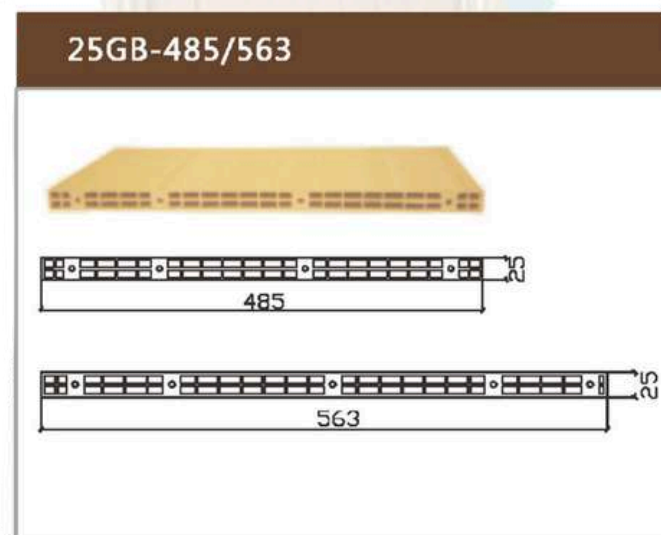
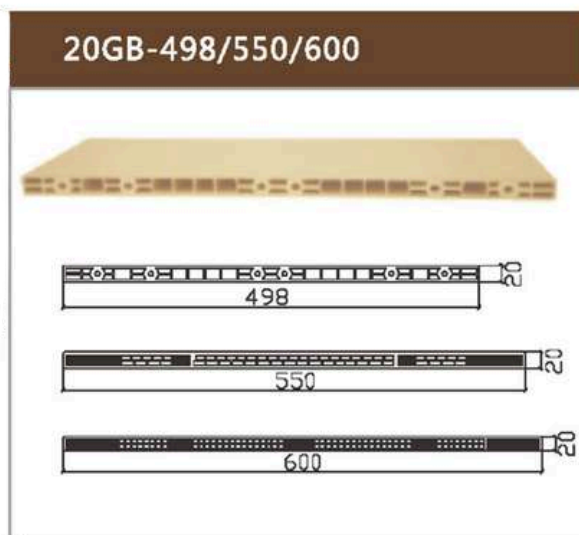
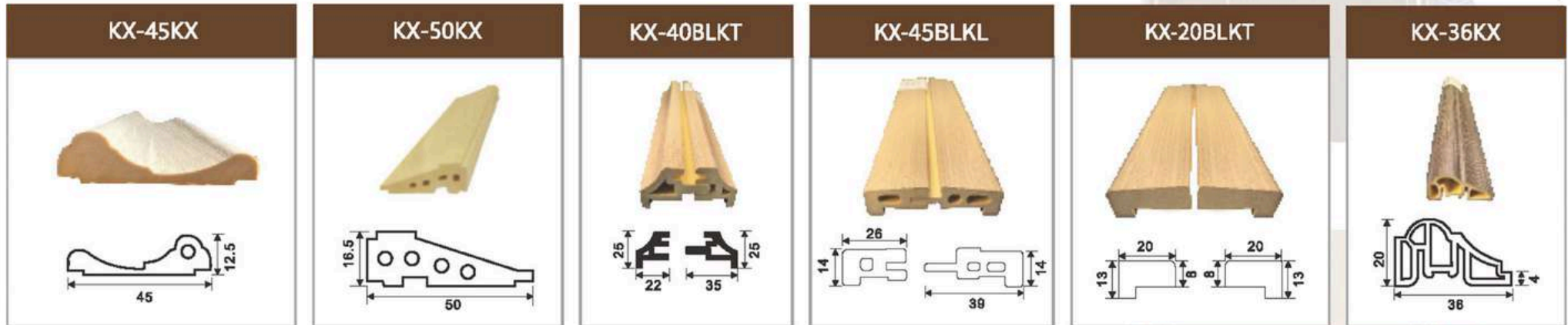
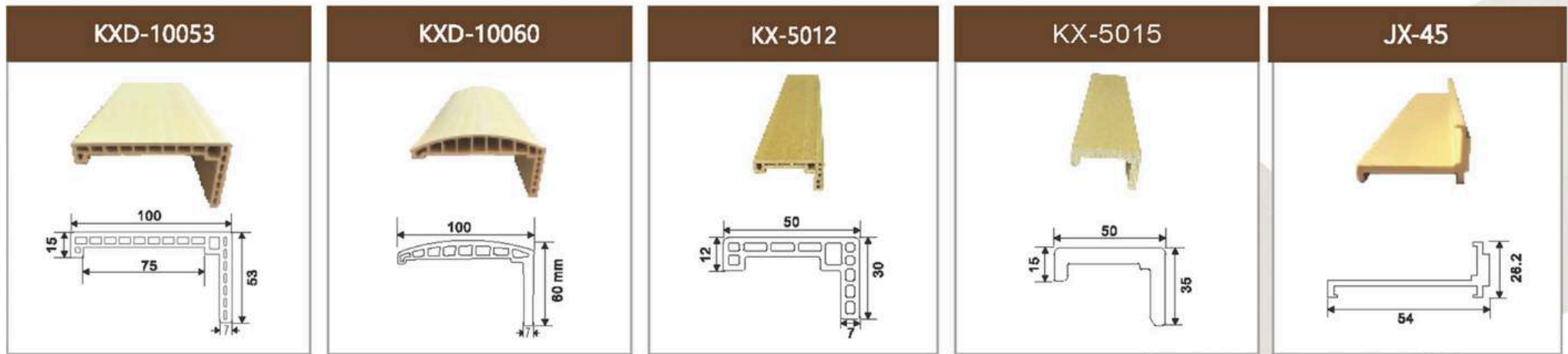
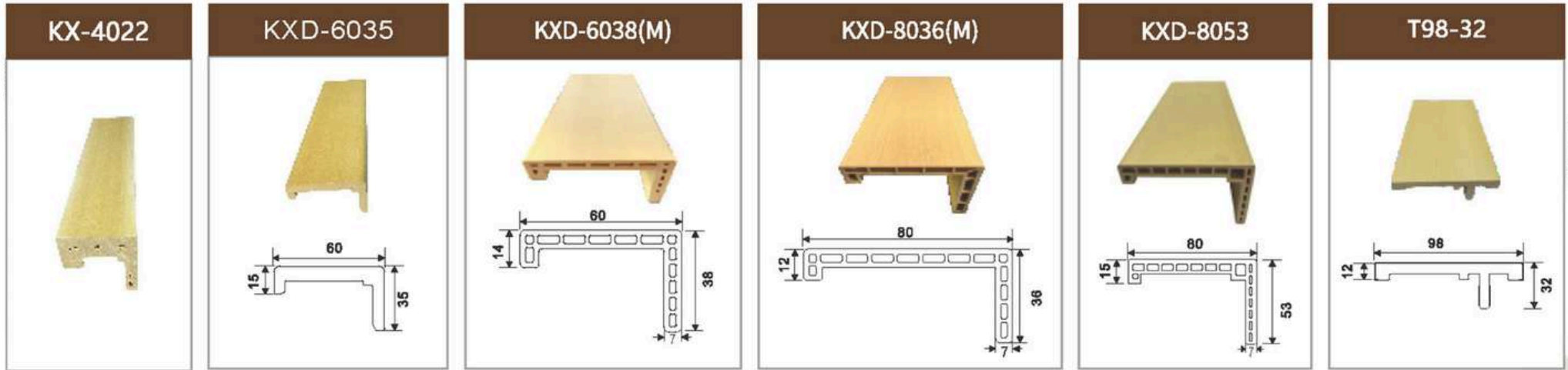


# WPC DOOR SERIES

## DOOR FRAME

<p>KT-90-35</p> 	<p>T/G100-35/40</p> 	<p>KT-100(M)-40</p> 	<p>KT-100-40/45</p> 	<p>KT-105-40</p> 	<p>KT-106-40(X)</p> 
<p>KT-120-40</p> 	<p>KT-130-40(X)</p> 	<p>KT-140-40</p> 	<p>KT-160-40</p> 	<p>KT-200-40</p> 	
<p>C110-40/45 + KX42MDT</p> 	<p>C130-40/45 + KX42MDT</p> 	<p>C150-40/45 + KX42MDT</p> 	<p>E120-45</p> 	<p>E140-45</p> 	<p>KT-140-45</p> 
<p>KT-160-45</p> 	<p>KT-180-45</p> 	<p>KT-200-45</p> 	<p>KT-220-40/45</p> 	<p>KT-240-45</p> 	<p>KT-260-45</p> 
<p>H100-45</p> 	<p>H180-45</p> 	<p>H220-45X</p> 	<p>H220-45</p> 	<p>H180-60</p> 	<p>H220-60</p> 
<p>KTCT-180</p> 	<p>KTCT-240</p> 	<p>KTCT-283</p> 	<p>KTCT-320</p> 	<p>KTBC-108</p> 	<p>KTBC-180</p> 
<p>KT-40MFB</p> 	<p>KT-45MFB</p> 	<p>YT-113</p> 	<p>YX-61</p> 	<p>YX-200</p> 	

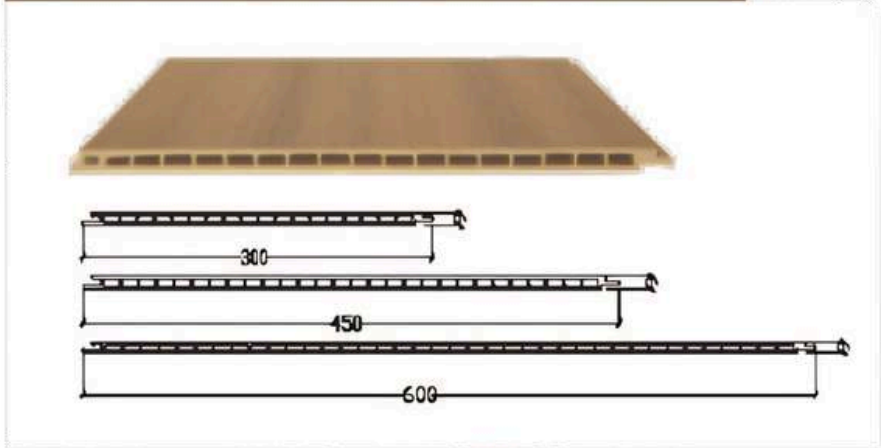
# WPC DOOR SERIES



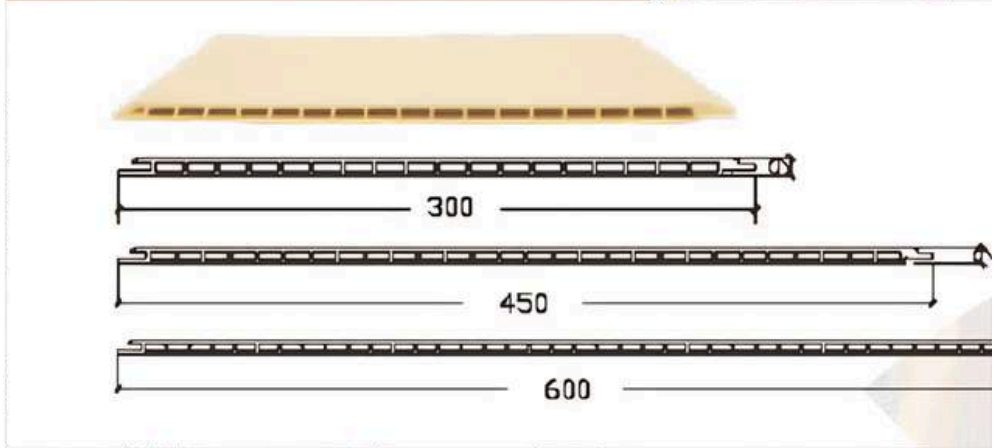
# WPC DOOR SERIES

## WALL PANEL

9-300WFB/9-450WFB/9-600WFB



9-300VFB/9-450VFB/9-600VFB



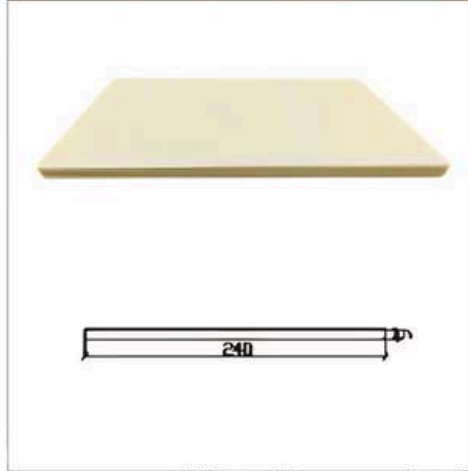
9-150BLB



18-1220MSB



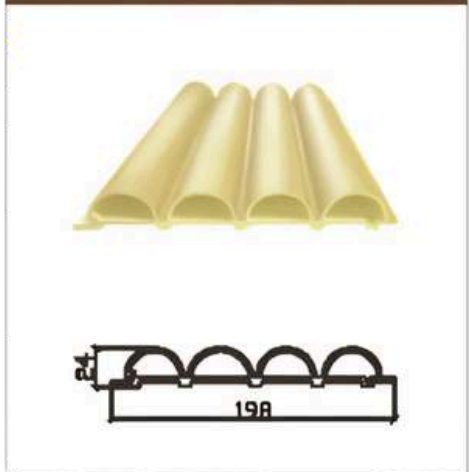
1200x2440/3000 (5-9mm)



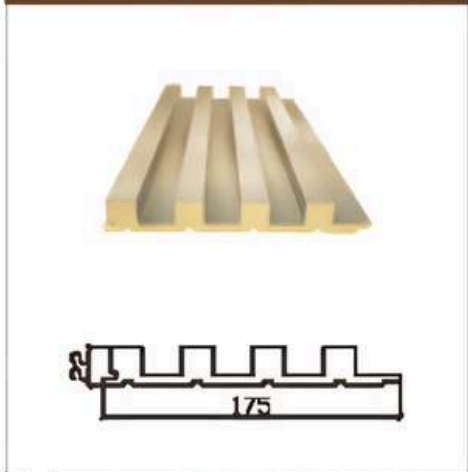
G155-7



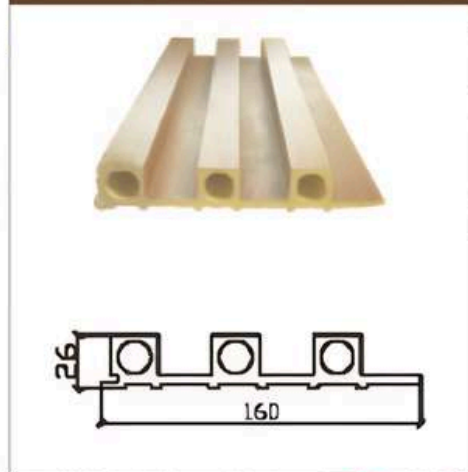
G198-4



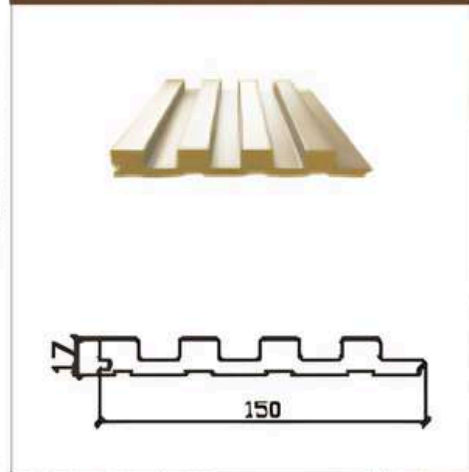
G175-4



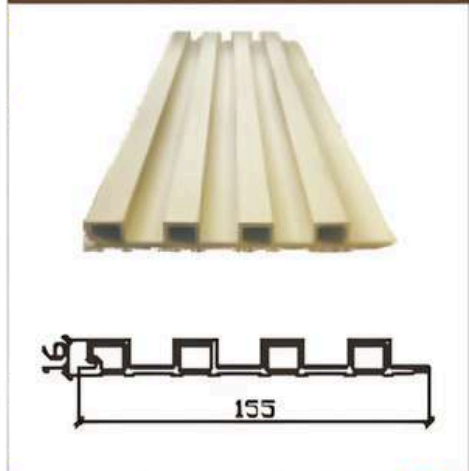
G160-3



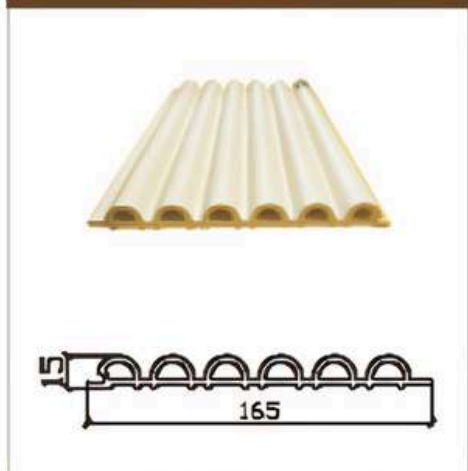
G150-5



G155-4



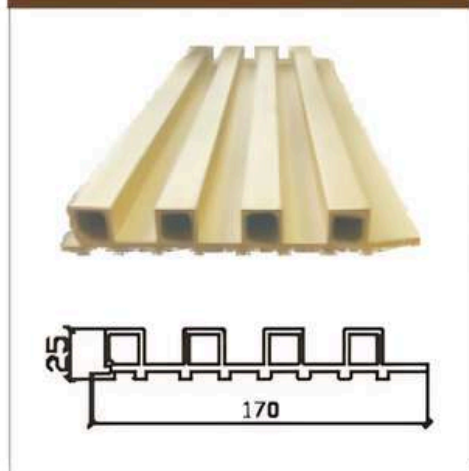
G165-6



G152-5



G170-4





# FATIMA DOORS INDUSTRY

**CONTACT US**



☎ +971564283342

✉ [info@fatimadoorsindustry.com](mailto:info@fatimadoorsindustry.com)

